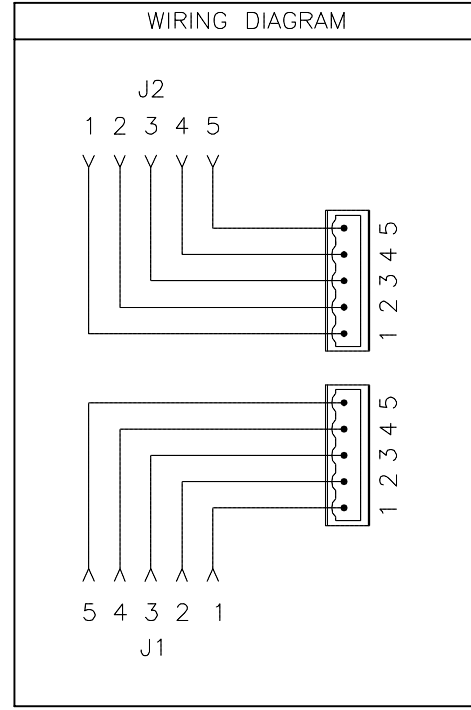
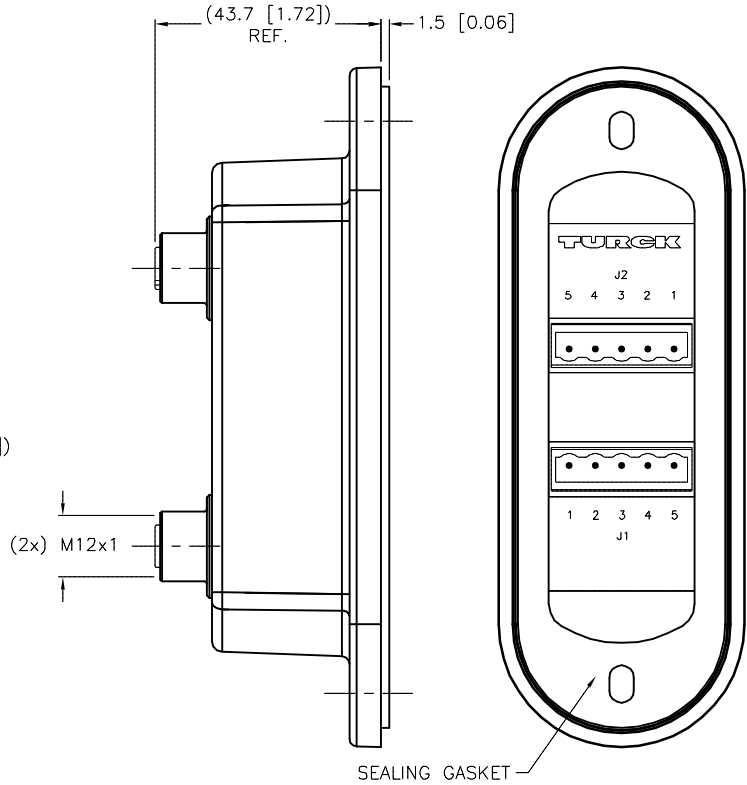
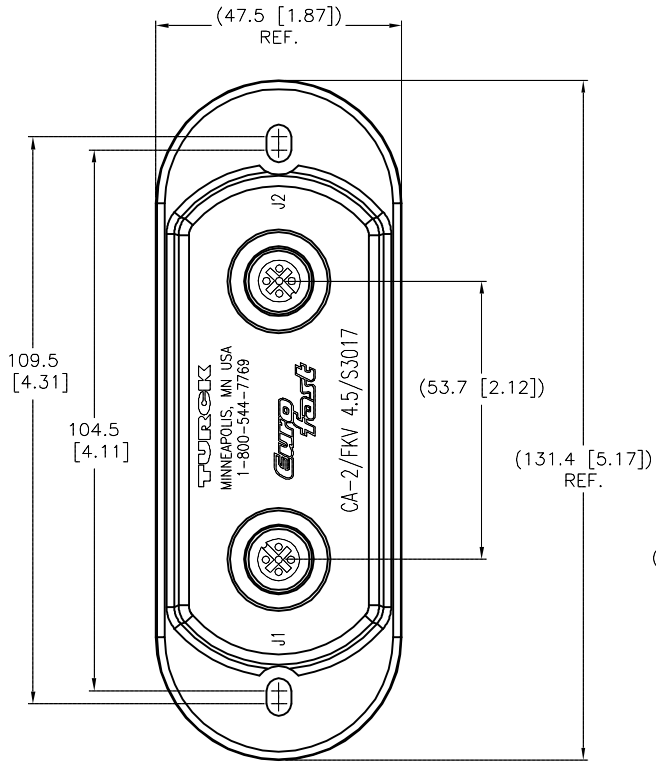


J1, J2 CONNECTORS	TERMINAL BLOCK PLUGS	COVER SCREWS INCLUDED	TERMINAL PLUGS INCLUDED	SPECIFICATIONS	
		 FORM 8 CONDUIT BODIES: 10-24 SCREWS MARK 9 CONDUIT BODIES: 8-32 SCREWS		HOUSING MATERIAL/COLOR	NYLON 66 - 33% GLASS FILLED/BLACK
				RECEPTACLE HOUSING MAT'L/FINISH	STAINLESS STEEL/PASSIVATED
				CONTACT CARRIER MATERIAL/COLOR	TPU/BLACK
				CONTACT MATERIAL/PLATING	BRASS/GOLD
				OPERATING VOLTAGE	250 V
				OPERATING CURRENT	4.0 A PER CONDUCTOR
				PROTECTION CLASS to DIN 40050	IP 67 - ONLY WHEN ALL RECEPTACLES ARE COVERED WITH PLUGS OR CONNECTED
				OPERATING TEMPERATURE	-30°C to +80°C (-22°F to +176°F)



NOTES:
 1. "/S3017" DESIGNATES SLOTTED HOLE PATTERN ON CONDUIT COVER.

SOURCE DRAWING - FOR REFERENCE ONLY

RELATED DOCUMENTS 1. 2. 3. 4.	3RD ANGLE PROJECTION 	THIS DRAWING IS CONFIDENTIAL AND THE PROPERTY OF TURCK INC. USE OF THIS DOCUMENT WITHOUT WRITTEN PERMISSION IS PROHIBITED.		TURCK INC <i>High Technology Sensors and Automation Controls</i> 3000 CAMPUS DRIVE MINNEAPOLIS, MN 55441 1-800-544-7769 (763) 553-7300 (763) 553-0708 fax turck.com	
		DRFT	RDS	DATE	03/10/11
MATERIAL	SEE SPECIFICATIONS	APVD		SCALE	1=1.5
FINISH	SEE SPECIFICATIONS	UNIT OF MEASUREMENT		DESCRIPTION	
	CONTACT TURCK FOR MORE INFORMATION	MILLIMETER [INCH]		CA-2/FKV 4.5/S3017	
		DO NOT SCALE THIS DRAWING		IDENTIFICATION NO.	REV
				U2-18639	B
				FILE: U2-18639	SHEET 1 OF 1

B	ADD THICKER GASKET	RDS	09/12/13	42993
REV	DESCRIPTION	BY	DATE	ECO NO.